

5302 and 5651 - Low Row

Assembly Notes (5302 and 5651)

| ITEM | QTY | PART NO. | DESCRIPTION |
|------|-----|------------------|---------------------------------|
| 1 | 1 | 01247 | Pulley Mount |
| 2 | 1 | 4800-260 | Top Weight Assembly |
| 3 | 2 | 4700-019 | Brg Fig .62 x .92 x 1.50 L |
| 4 | 2 | BR030206 | Retaining Ring |
| 5 | 2 | 01439 | Weight Rod .625 Dia. x 65.31 |
| 6 | 2 | 01755 | Guide Rod Coilet-Long |
| 7 | 4 | 08014 | Pulley |
| 8 | 1 | HP286819 | Spiral Pin |
| 9 | 1 | 4106S065-0 | Seat Cushion |
| 10 | 1 | 5302-51 | Base Package |
| 11 | 1 | PP090000 | Plastic Insert |
| 12 | 1 | 4700M005 | Rubber Boot |
| 13 | 1 | 4800-570 | Cable Guard |
| 14 | 2 | 5310P044 | Weight Select Pin |
| 15 | 1 | 5301-20Y | Back Cover |
| 16 | 2 | 5301-310 | Pulley Guard |
| 17 | 2 | 5301-311 | Stop |
| 18 | 2 | 02106 | Half Weight Peg |
| 19 | 1 | HS908300 | Split Lockwasher .25 |
| 20 | 1 | JC620415 | BHSCS .25-20 x .75 |
| 21 | 1 | C-ZA00200 | Half Weight |
| 22 | 19 | 4005C062 | Weight Plate 4.00 x 12.00 |
| 23 | 2 | PP080202 | Plastic Insert, 1.19 Dia.-11 G |
| 24 | 2 | PU060201 | Bumper |
| 25 | 1 | 5651-50 | Low Row Frame |
| 26 | 1 | 5651-002 | Cable |
| 27 | 1 | 02524 | Caution Decal |
| 28 | 1 | 3900-426 | Vortex Decal 11.37 Grey |
| 29 | 1 | 3900-378 | Cybox Decal 11.37 Vert. Wht/Plm |
| 30 | 1 | 3900-381 | Cybox Decal 11.37 Vert. Bk/Plm |
| 31 | 1 | 3900-419 | Cybox Decal 11.37 Vert. Wht/Wht |
| 32 | 1 | 4000Y816 | Caution Decal |
| 33 | 1 | 4800-381 | Warning Decal |
| 34 | 1 | 4800-515 | Weight Plate Decal |
| 35 | 2 | 5651-998 | Placard Decal |
| 36 | 2 | PR060005 | Weight Bumper |
| 37 | 4 | 8630-321 | Non-Slip |
| 38 | 2 | HG700430 | BHSCS .375-16 x 2.50 |
| 39 | 4 | HN704901 | Nylon Locknut, .375-16 |
| 40 | 2 | HN784000 | Hex Nut .50-13 |
| 41 | 2 | JC700420 | BHSCS .375-16 x 1.25 |
| 42 | 2 | JC700424 | BHSCS .375-16 x 1.75 |
| 43 | 4 | JG780417 | BHSCS .50-13 x 1.00 |
| 44 | 4 | JG780420 | BHSCS .50-13 x 1.25 |
| 45 | 5 | JG782830 | SHCS .50-13 x 2.50 |
| 46 | 13 | JS388300 | Split Lockwasher .50 |
| 47 | 4 | PP080204 | Plastic Cap .625 ID x .68 OD |
| 48 | 1 | PP080225 | Plastic Insert 1.50-8.12 G |
| 49 | 1 | GQ000206 | Snap Link |
| 50 | 1 | 51081 | Handle Subassembly |
| 51 | 2 | Removed 10/28/08 | Washer .375 |
| 52 | 4 | PN660201 | Hole Plug |

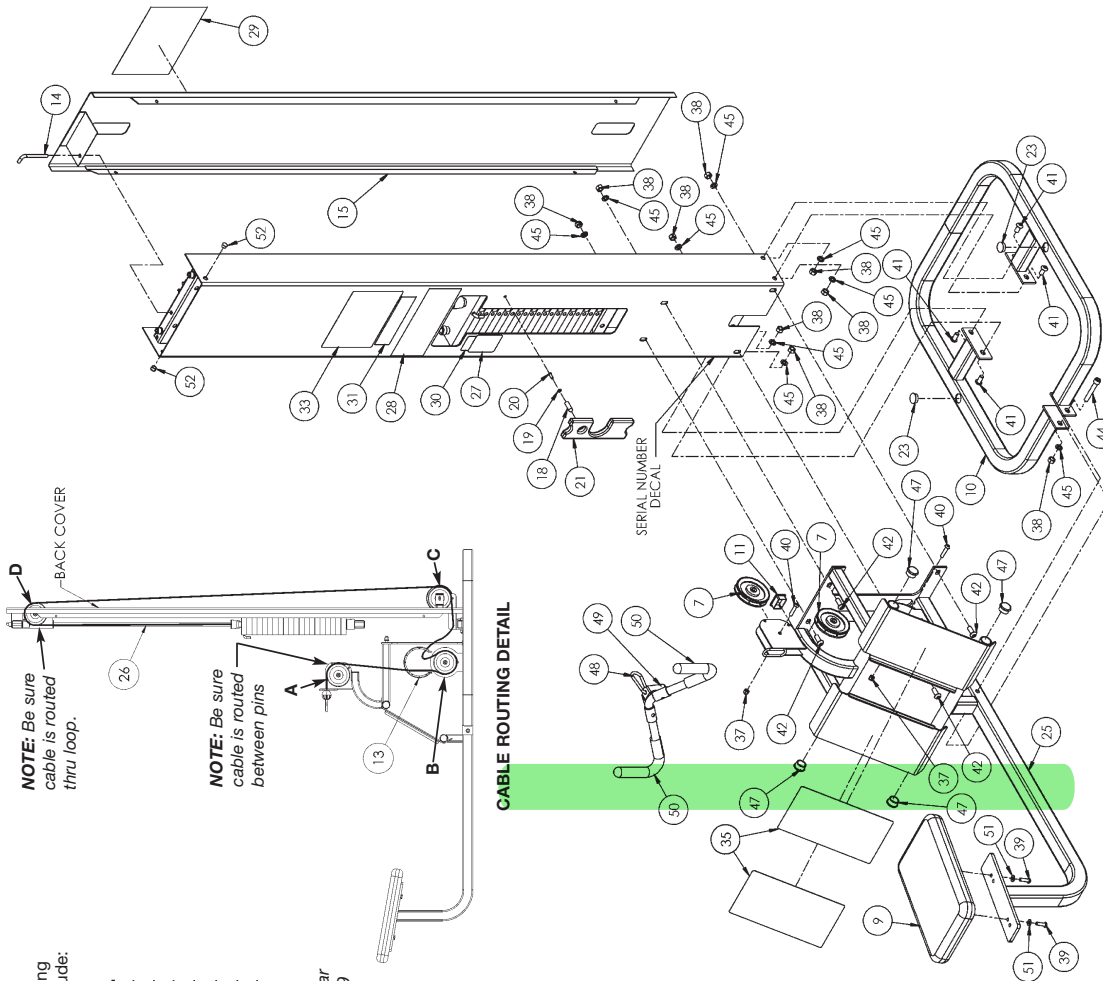
1. Install unit in area where it will be used. Keep all shipping packages near area of installation. Standard items include:

| Shipping Package | Model Configuration | 5302 | 5651 |
|--------------------|---------------------|------|------|
| Base Package | - 5302-51 | 1 | X |
| Low Row Assembly | - 5302-001 | X | X |
| Low Row Assembly | - 5651-001 | X | X |
| Low Row Frame | - 5651-50 | 1 | 1 |
| Top Weight Package | - 4700-010 | 1 | 1 |
| Weight Package | - 4700S040 | 1 | 1 |
| Weight Package | - 4700S043 | 1 | 1 |
| Cushion Set | - 5603-00 | 1 | 1 |

NOTE: For tandem and quad (modular) configurations, follow assembly guidelines listed on either the 5600 Modular Center Post Assembly & Parts instruction sheet or the 5629 Tandem Center Post Assembly & Parts instruction sheet. Also refer to all steps listed below.

2. Read and understand instructions thoroughly before assembling the Low Row. Refer to the exploded-view diagram and parts list when assembling the Low Row.
3. Remove back cover (item #15). Remove pin (item #14) securing cover at the top end, and lift out.
4. Install Pulley mount (item #1).
5. Install column (item #22) to base (item #10). **NOTE:** 5651 configuration does not have a base (item #10) or back cover (item #15).
6. Install frame (item #25) to column (item #22).
7. Install half weight peg (item #18).
8. Install seat cushion, for normal usage use front holes as shown.
9. Install weight stack and top weight.
10. Tighten all hardware.
11. Install rear cover (item #15) if applicable.
12. Route cable as shown in the Cable Routing Detail diagram. **NOTE:** Pulley "D" must be installed with the rear cover open. Pulley "C" installed with guards (item #16) and stop (item #17) to hold rear cover in place.
13. Adjust cable for one inch of free play.

NOTE: This machine shipped with an Owner's Manual. Additional copies can be obtained by contacting your dealer or a Cybex Representative at 1-888-462-9239.



NOTE: Be sure cable is routed thru loop.

NOTE: Be sure cable is routed between pins

CABLE ROUTING DETAIL

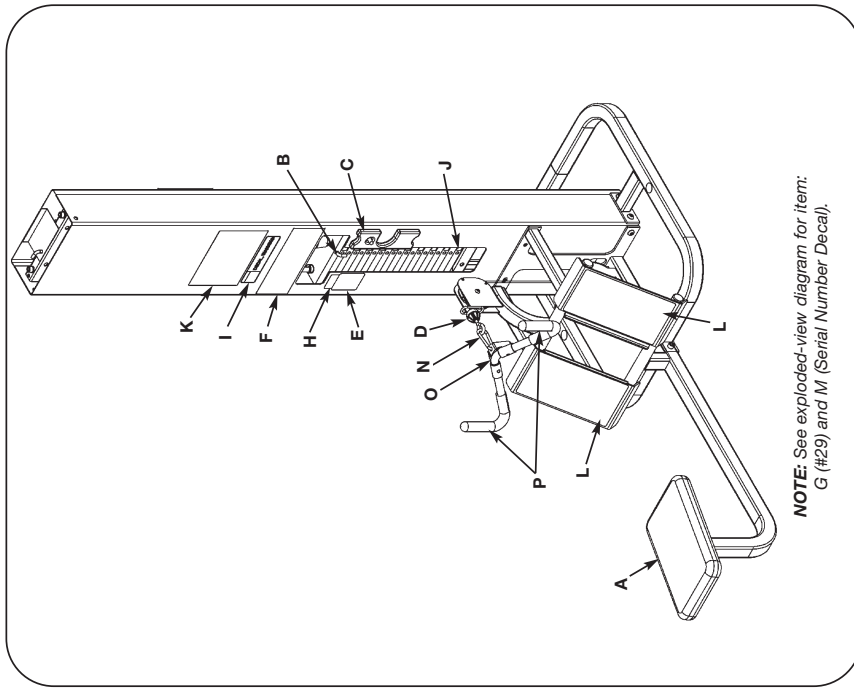
5302 CONFIGURATION

• Not used in all configurations. Quantities will vary depending upon type of configuration.

LOW ROW

5302, 5651

ASSEMBLY & PARTS



NOTE: See exploded-view diagram for item: G (#29) and M (Serial Number Decal).

| DESCRIPTION | PART NO. | DESCRIPTION | PART NO. |
|-----------------------------|------------|-----------------------------|----------|
| A. Seat Cushion..... | 4106S055-0 | H. Caution Decal..... | 4000Y316 |
| B. Weight Selector Pin..... | 5310P044 | I. Warning Decal..... | 4800-361 |
| C. Half Weight..... | C-ZA00200 | J. Weight Plate Decal..... | 4800-515 |
| D. Cable Subassembly..... | 5651-002 | K. Placard Decal..... | 5651-598 |
| E. Caution Decal..... | 02521 | L. Non-Slip..... | 8630-321 |
| F. Vorex Decal..... | 3900-426 | M. Serial Number Decal..... | GQ000206 |
| G. Cybex Decal Wht/Pim..... | 3900-378 | N. Snap Link..... | 8610-206 |
| G. Cybex Decal Blk/Pim..... | 3900-391 | O. Handle Subassembly..... | 8610-206 |
| G. Cybex Decal Wht/Wht..... | 3900-419 | P. Grip..... | 51081 |

